

Description

The ACE507A series are precise, low power consumption, positive voltage regulators manufactured using CMOS and laser trimming technologies. The series provides large currents with a significantly small dropout voltage. The ACE507A consists of a current limit circuit, a driver transistor a precision reference voltage and an error correction circuit. The series is compatible with low ESR ceramic capacitors. The current limiter's foldback circuit also operates as a short protect for the output current limiter and the output pin. Output voltage can be set internally by laser trimming technologies. It is selectable in 100mV Increments with a range of 1.2V to 5.0V. SOT-89-3 and SOT-23-3 packages are available.

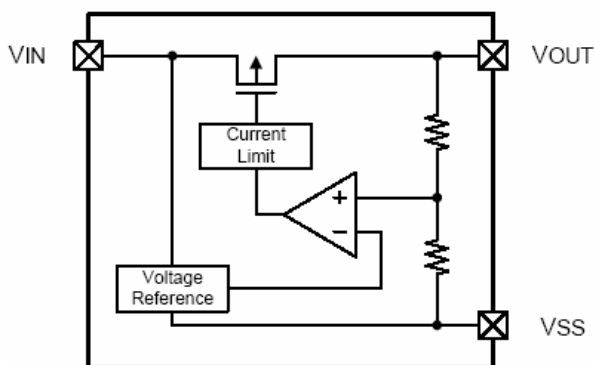
Features

- Output Voltage selectable in 100mV steps (1.2V to 5.0V)
- Highly Accurate
- Low Dropout Voltage
- Low Power Consumption
- Internal current limiting and short protecting
- Small packages

Application

- Battery Powered equipment
- Cameras, Video cameras
- Reference Voltage Source
- Mobile phones
- Communication tools

Functional Block Diagram



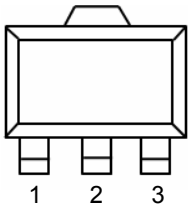
Absolute Maximum Ratings

Operating temperature range applies unless otherwise specified.

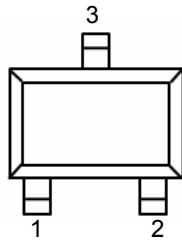
Parameter	Symbol	Max	Unit
Input voltage	V_{IN}	-0.3 ~ 6	V
Output Current	V_{OUT}	$V_{SS} - 0.3$ to $V_{IN} - 0.3$	V
Power Dissipation ($T_A=25^\circ\text{C}$) SOT-23-3 SOT-89-3	P_D	150 500	mW
Operating Temperature Rang	T_{OPR}	-25 ~ 80	$^\circ\text{C}$
Storage Temperature Rang	T_{STG}	- 40 to 125	$^\circ\text{C}$

Packaging Type

SOT-89-3



SOT-23-3

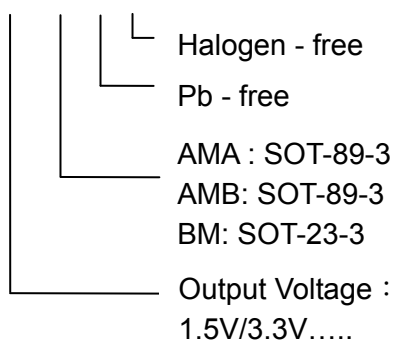


Pin	SOT-89-3(A)	SOT-89-3(B)	SOT-23-3
V_{SS}	2	1	1
V_{IN}	3	2	3
V_{OUT}	1	3	2

Ordering information

Selection Guide

ACE507A XX XX + H



Electrical Characteristics

(T_A=25°C, unless otherwise specified.)

Symbol	Parameter	Test Conditions	Test Circuit	Min	Typ	Max	Units
V _{IN}	Input Voltage			1.8		6	V
I _{SS}	Supply Current	V _{IN} =V _{OUT} +1.0V	2		8		μA
				SOT-23-3		20	
V _{OUT}	Output Voltage	V _{IN} =V _{OUT} +1.0V, I _{OUT} =40mA	1	V _{OUT(T)} *0.98	V _{OUT(T)}	V _{OUT(T)} *1.02	V
I _{OUT}	Output Current	V _{IN} ≥ V _{OUT} +1.0V	1	300			mA
V _{DROP}	Dropout Voltage	I _{OUT} = 100mA	1	1.5V ≤ V _{OUT} ≤ 2.5V	0.51	0.75	V
				2.6V ≤ V _{OUT} ≤ 3.3V	0.16	0.24	
				3.4V ≤ V _{OUT} ≤ 5.0V	0.12	0.20	
$\frac{\Delta V_{OUT}}{\Delta V_{IN} \cdot V_{OUT}}$ T	Lin Regulations	V _{OUT} +0.5V ≤ V _{IN} ≤ 5.5V I _{OUT} =80mA	1		0.05	0.3	%/V
ΔV_{OUT}	Load Regulations	V _{IN} =V _{OUT} +1.0V 1.0mA ≤ I _{OUT} ≤ 80mA			20	40	mV
$\frac{\Delta V_{OUT}}{\Delta T_A \cdot V_{OUT}}$ T	Output Voltage Temperature Characteristics	V _{IN} =V _{OUT} +1.0V, I _{OUT} =10mA				±100	
IRRI	Ripple Rejection	V _{IN} =V _{OUT} +1.0V, F=120Hz V _{RIP} =1V _{RMS} , I _{OUT} =30mA	1	62			dB
I _{SHORT}	Short current	V _{IN} =V _{OUT} +1.0V	1		30		mA
I _{OUT}	Maximum Output Current	V _{IN} =V _{OUT} +1.0V, V _{OUT} >2.5V	1	350			mA

Note 1. V_{OUT(T)}=Specified output Voltage

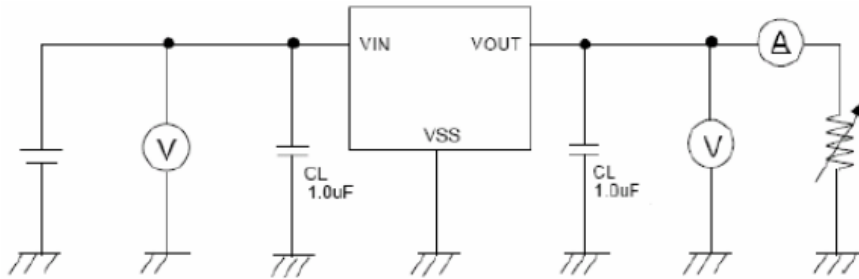
Note 2. V_{OUT(E)}=Effective output Voltage (i.e. the output voltage when “V_{OUT(T)}+0V” is provided at the V_{IN} pin while maintaining a certain I_{OUT} value)

Note 3. V_{DROP}={V_{IN1}(note5)-V_{OUT1}(note4)}

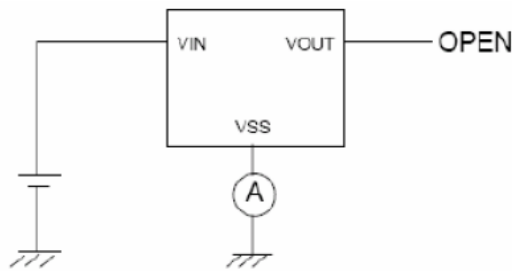
Note 4. V_{OUT1}=A voltage equal to 98% of the output voltage whenever an amply stabilized I_{OUT}(V_{OUT(T)}+1.0V)is input.

Note 5. V_{IN1}=The voltage when V_{OUT}=V_{OUT1}

Test Circuit

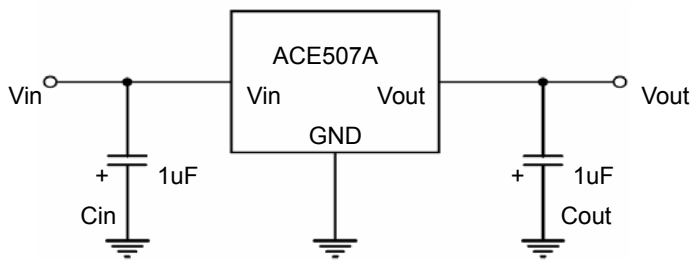


Test Circuit 1



Test Circuit 2

Typical Application Circuit



Typical Performance Characteristics

3.0V Out unless otherwise specified

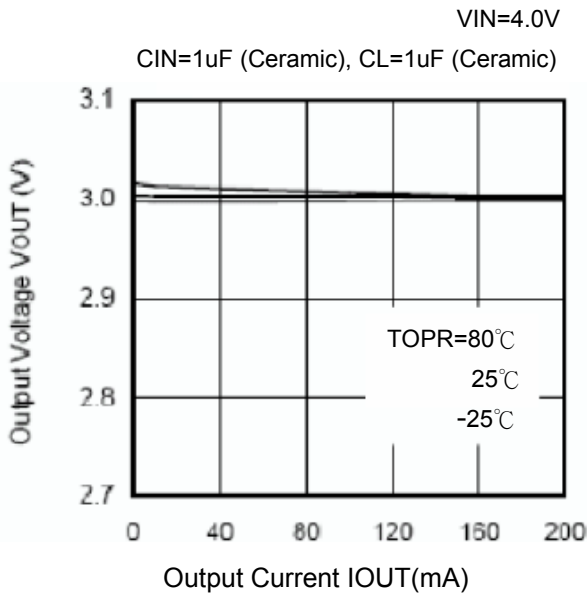


Figure1. Output Voltage vs. Output Current

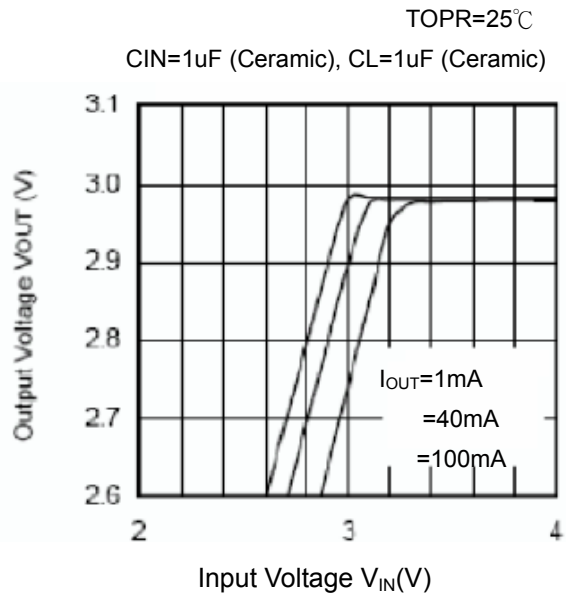


Figure 2. Output Voltage vs. Input Voltage

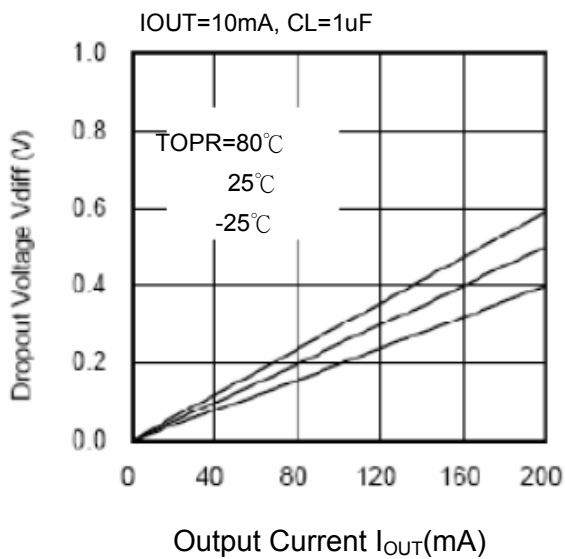


Figure 3. Dropout Voltage vs. Output Current

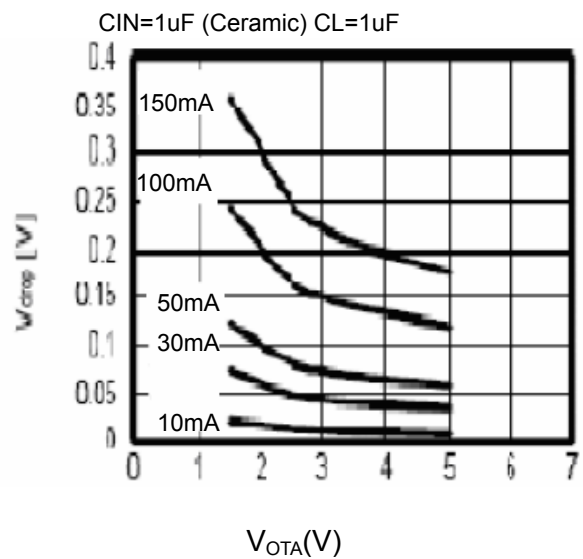


Figure4. Dropout Voltage vs. Output Voltage

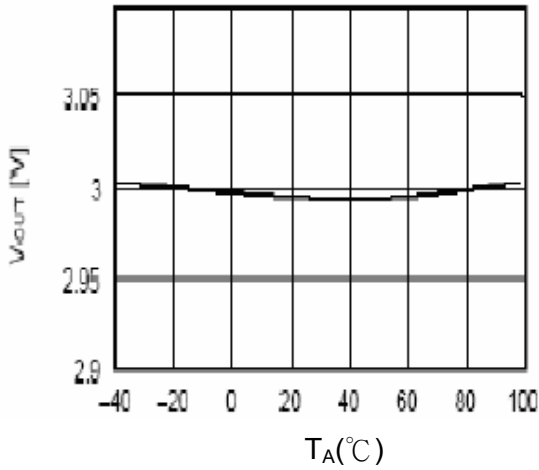


Figure 5. Output Voltage vs. Temperature

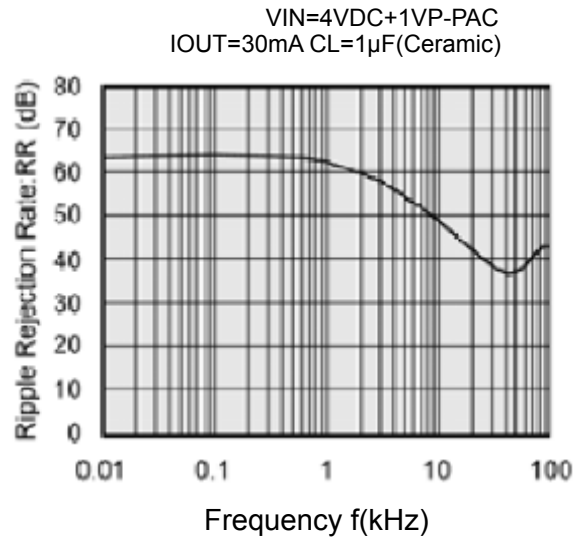
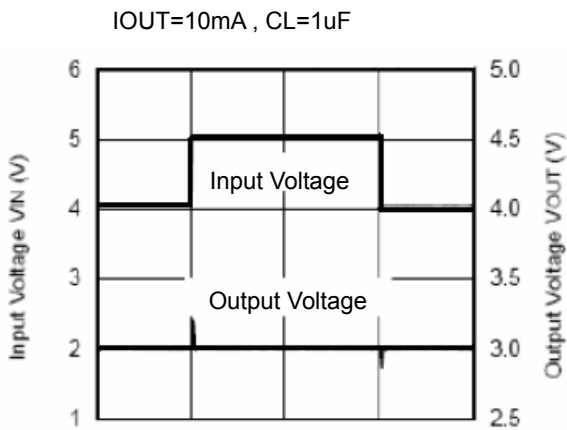
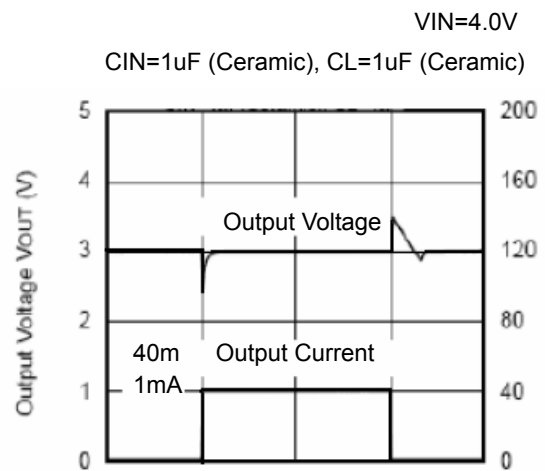


Figure 6. Ripple rejection rate



Time (2ms/div)

Figure 7. Input Transient Response

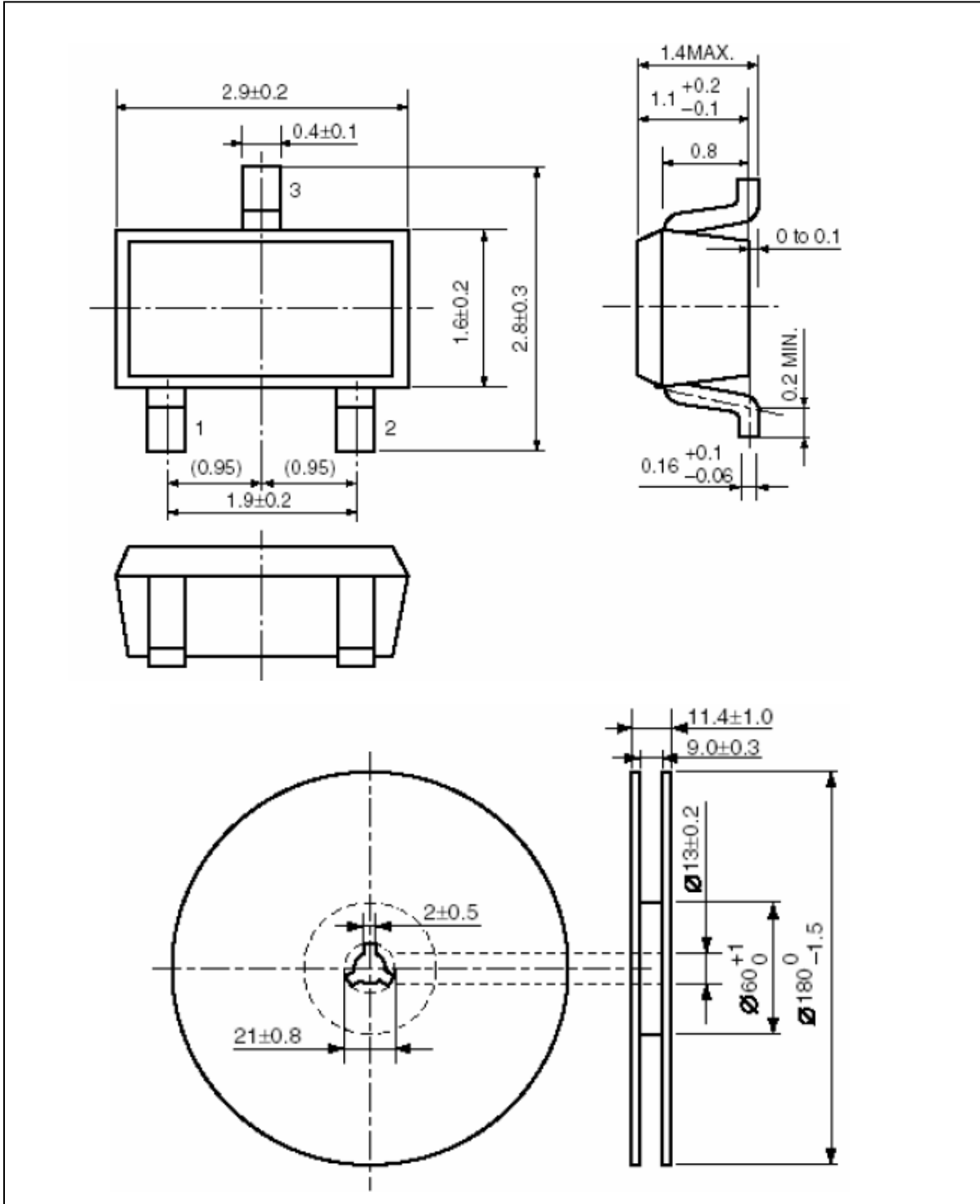


Time (1ms/div)

Figure 8. Load Transient Response

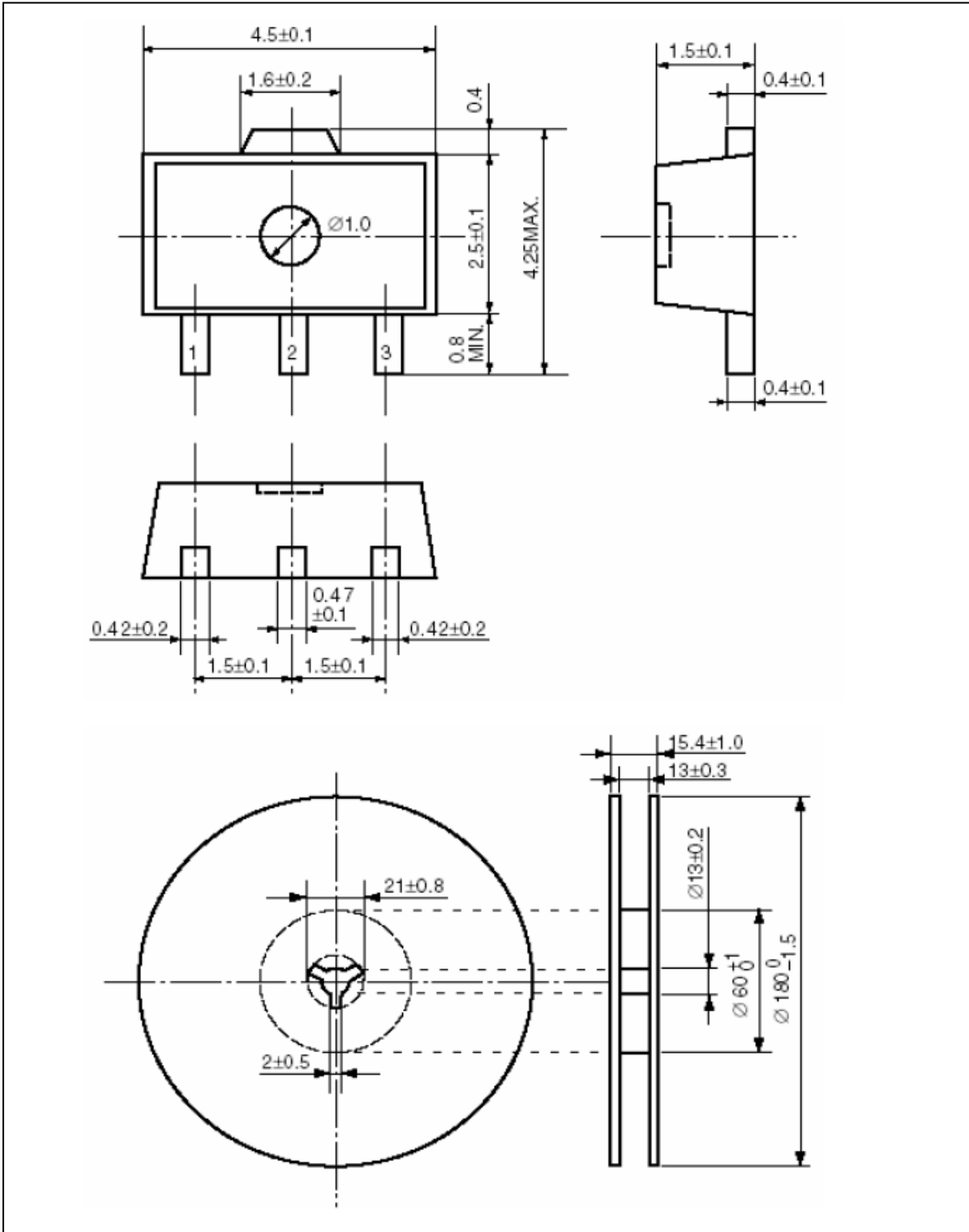
Packing Information

SOT-23-3



Packing Information

SOT-89-3



Notes

ACE does not assume any responsibility for use as critical components in life support devices or systems without the express written approval of the president and general counsel of ACE Electronics Co., LTD. As used herein:

1. Life support devices or systems are devices or systems which, (a) are intended for surgical implant into the body, or (b) support or sustain life, and whose failure to perform when properly used in accordance with instructions for use provided in the labeling, can be reasonably expected to result in a significant injury to the user.
2. A critical component is any component of a life support device or system whose failure to perform can be reasonably expected to cause the failure of the life support device or system, or to affect its safety or effectiveness.