



ACE3028A

Low-Power Reset Circuits with Capacitor-Adjustable Reset Timeout Delay

Description

The ACE3028A Series is a high-precision voltage detector developed using CMOS process. The detection voltage is fixed internally with an accuracy of 2 %. A time delayed reset can be accomplished with the addition of an external capacitor. Two output forms, Nch open-drain and CMOS output, are available.

Features

- Ultra-low current consumption : 1.0 μ A
- High-precision detection voltage : 2 %
- Operating voltage range : 0.7 V to 7.0 V
- Hysteresis characteristics : 5 % typ.
- Detection voltage : 0.8V to 5.0 V (0.01 V step)
- Output forms :
 - Nch open-drain output (Active Low)
 - CMOS output (Active Low)
- Lead-free products

Application

- Power supply monitor for portable equipment such as notebook PCs, digital still cameras, PDAs and cellular phones
- Constant voltage power monitor for cameras, video equipment and communication equipment
- Power monitor and reset for CPUs and microcomputers

Absolute Maximum Rating $T_a=25^{\circ}\text{C}$ unless otherwise specified

Parameter	Symbol	Ratings	Unit	
Power supply voltage	V_{DD}	$V_{SS}-0.3 \sim V_{SS}+8$	V	
Output voltage	V_{OUT}	$V_{SS}-0.3 \sim V_{SS}+8$	V	
Power dissipation	SOT-23-5	PD	400	mW
	SC-82	PD	250	mW
Operating ambient temperature	T_{opr}	-40 ~85	$^{\circ}\text{C}$	
Storage temperature	T_{stg}	-40 ~125	$^{\circ}\text{C}$	
ESD rating	Human Body Model-(HBM)	2	KV	
	Machine Model-(MM)	200	V	

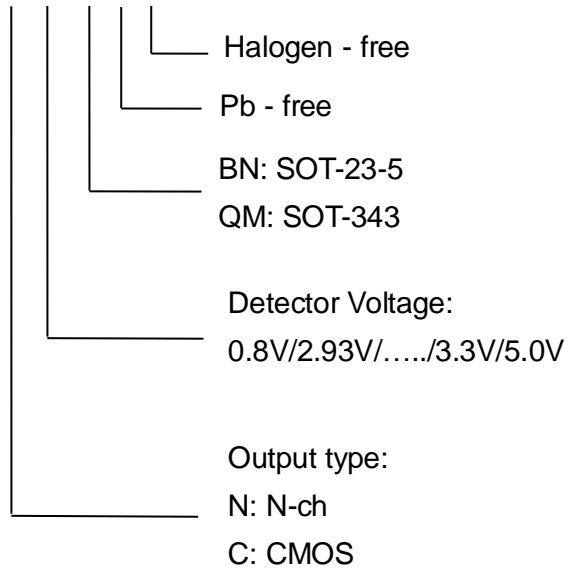


ACE3028A

Low-Power Reset Circuits with Capacitor-Adjustable Reset Timeout Delay

Ordering information

ACE3028AX XX XX + H





Notes

ACE does not assume any responsibility for use as critical components in life support devices or systems without the express written approval of the president and general counsel of ACE Technology Co., LTD. As used herein:

1. Life support devices or systems are devices or systems which, (a) are intended for surgical implant into the body, or (b) support or sustain life, and whose failure to perform when properly used in accordance with instructions for use provided in the labeling, can be reasonably expected to result in a significant injury to the user.
2. A critical component is any component of a life support device or system whose failure to perform can be reasonably expected to cause the failure of the life support device or system, or to affect its safety or effectiveness.