



ACE701CC

Synchronous Step-Up DC/DC Converter

Description

The ACE701CC Series is a Synchronous step-up DC/DC Converter with PFM Control. With the ACE701CC Series, a step-up switching DC/DC converter can be configured by using an external coil, capacitor. The built-in MOSFET is turned off by a protection circuit when the voltage at the LX pin exceeds the limit to prevent it from being damaged.

Features

- External parts: Coil, capacitor
- Output voltage: Settable to between 1.8V to 5.5 V in 0.1 V steps
- Maximum Oscillation frequency:300KHz
- Accuracy of $\pm 2\%$
- High efficiency : 95%

Application

- Digital cameras
- Electronic notebooks and PDAs
- Portable CD/MD players
- Cameras, video equipment
- Communications equipment
- Power supply for microcomputers

Absolute Maximum Ratings

Parameter		Symbol	Max	Unit
V _{OUT} pin voltage		V _{OUT}	V _{SS} -0.3 ~ V _{SS} +8	V
EN pin voltage		EN	V _{SS} -0.3 ~ V _{SS} +8	V
LX pin voltage		V _{LX}	V _{SS} -0.3 ~ V _{SS} +8	V
LX pin current		I _{LX}	1000	mA
Power dissipation	SOT-23-3	PD	250	mW
	TSOT-23-3		250	mW
	SOT-23-5		250	mW
	SOT-89-3		500	mW
Operating temperature		T _{opr}	-40 ~+85	°C
Storage temperature		T _{stg}	-40 ~+125	°C
Soldering Temperature & Time		T _{solder}	260°C, 10s	

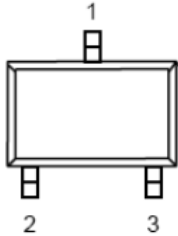


ACE701CC

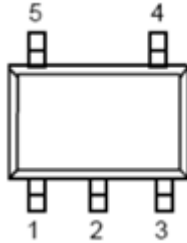
Synchronous Step-Up DC/DC Converter

Packaging Type

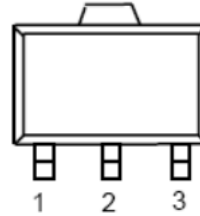
SOT-23-3/TSOT-23-3



SOT-23-5

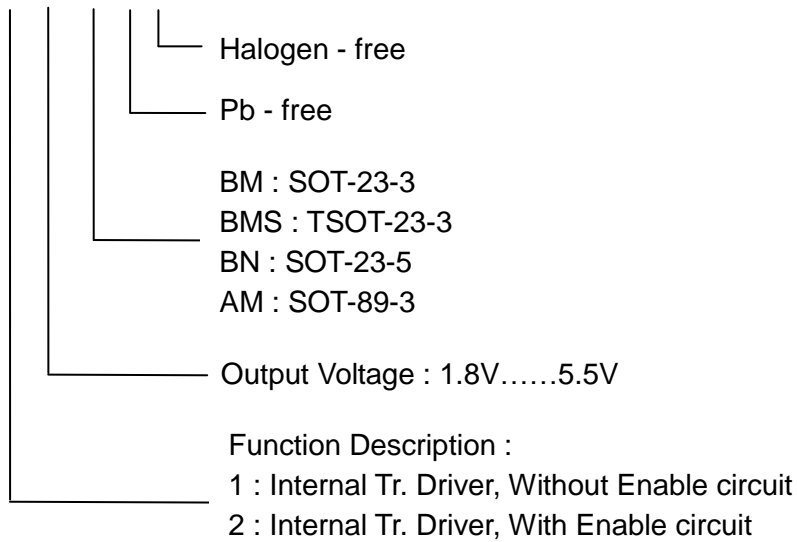


SOT-89-3



Ordering information

ACE701CC X XX XX + H





ACE701CC

Synchronous Step-Up DC/DC Converter

Notes

ACE does not assume any responsibility for use as critical components in life support devices or systems without the express written approval of the president and general counsel of ACE Technology Co., LTD. As used herein:

1. Life support devices or systems are devices or systems which, (a) are intended for surgical implant into the body, or (b) support or sustain life, and whose failure to perform when properly used in accordance with instructions for use provided in the labeling, can be reasonably expected to result in a significant injury to the user.
2. A critical component is any component of a life support device or system whose failure to perform can be reasonably expected to cause the failure of the life support device or system, or to affect its safety or effectiveness.

ACE Technology Co., LTD.
<http://www.ace-ele.com/>